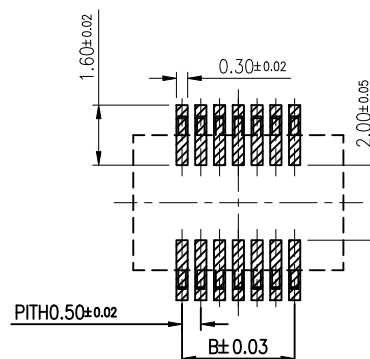


RECOMMENDED PCB LAYOUT
GENERAL TOLERANCE ±0.05
WITH BOSS WITH FITTING NAIL



RECOMMENDED PCB LAYOUT
GENERAL TOLERANCE ±0.05
WITHOUT BOSS WITHOUT FITTING NAIL

NOTES:

1. MATERIAL:
 - 1.1 HOUSING: THERMOPLASTIC, HIGH TEMP., UL94V-0; COLOR IS NATURAL.
 - 1.2 CONTACT: COPPER ALLOY
2. FINISH:
 - 2.1 CONTACT: GOLD FLASH
 - 50u" MIN. NICKEL UNDERPLATING OVERALL.
3. IR REFLOW CAPABLE TO 260°C PER ACES SPEC.
4. SPEC. PLS. REFER TO PS-50013-XXXX-XXX
5. PACKAGE PLS. SEE P/N LEGEND
6. PART NUMBER

50013-XXX X X-XXX
 No Of CKT X X-XXX

| XXX | COLOR | MATERIAL | MYLAR | POLARIZATION | PACKING |
|-----|---------|----------|---------|--|-------------------|
| 001 | NATURAL | PA6T | MYLAR-A | WITH BOSS & WITH FITTING NAIL | 91016-XXXX-TRP |
| 002 | NATURAL | PA6T | MYLAR-B | WITH BOSS & WITH FITTING NAIL | 91016-XXXX-TRP |
| 003 | NATURAL | PA6T | MYLAR-A | WITH OUT BOSS & WITH OUT FITTING NAIL | 91016-XXXX-05-TRP |
| 004 | NATURAL | LCP | MYLAR-A | WITH BOSS & WITH FITTING NAIL (20-40PIN) | 91016-XXXX-TRP |
| 005 | NATURAL | PA6T | MYLAR-A | WITH OUT BOSS & WITH FITTING NAIL | 91016-XXXX-05-TRP |
| 006 | BLACK | PA6T | MYLAR-A | WITH OUT BOSS & WITH FITTING NAIL | 91016-XXXX-05-TRP |
| 007 | NATURAL | LCP | MYLAR-A | WITH BOSS & WITH FITTING NAIL (20-40PIN) | 91016-XXXX1-TRP |
| BS1 | NATURAL | PA6T | MYLAR-A | WITH BOSS & WITH FITTING NAIL | 91016-XXXX-XX-TRP |

PLATING
1: GOLD FLASH

PACKING
0: TAPE & REEL
1: TUBE PACKAGE
4: TAPE & REEL WITH MYLAR
5: TUBE PACKAGE WITH MYLAR

| CKT | DIM A | DIM B | DIM C | DIM D | DIM E | DIM F | DIM G | MYLAR-A H | MYLAR-B H |
|-----|-------|-------|-------|-------|-------|-------|-------|--------------|--------------|
| 010 | 4.7 | 2.00 | 2.80 | 3.20 | 4.10 | 2.8 | 5.5 | 3.0 | 3.0 |
| 014 | 5.7 | 3.00 | 3.80 | 4.20 | 5.10 | 3.8 | 6.5 | 3.0 | 3.0 |
| 020 | 7.2 | 4.50 | 5.30 | 5.70 | 6.60 | 5.3 | 8.0 | 5.0 | 5.0 |
| 024 | 8.2 | 5.50 | 6.30 | 6.70 | 7.60 | 6.3 | 9.0 | 5.0 | 5.0 |
| 030 | 9.7 | 7.00 | 7.80 | 8.20 | 9.10 | 7.8 | 10.5 | 6.0 | 6.0 |
| 032 | 10.2 | 7.50 | 8.30 | 8.70 | 9.60 | 8.3 | 11.0 | 6.0 | 6.0 |
| 036 | 11.2 | 8.50 | 9.30 | 9.70 | 10.60 | 9.3 | 12.0 | 6.0 | 6.0 |
| 040 | 12.2 | 9.50 | 10.30 | 10.70 | 11.60 | 10.3 | 13.0 | 6.0 | 6.0 |
| 050 | 14.7 | 12.00 | 12.80 | 13.20 | 14.10 | 12.8 | 15.5 | 6.0 | 6.0 |
| 060 | 17.2 | 14.50 | 15.30 | 15.70 | 16.60 | 15.3 | 18.0 | 6.0 | 6.0 |
| 080 | 22.2 | 19.50 | 20.30 | 20.70 | 21.60 | 20.3 | 23.0 | 6.0 | 6.0 |

| | | | |
|--|--|--|---|
| 一般公差 TOLERANCES X ±0.5 XX ±0.15 X ±0.25 XXX ±0.1 ANGLES ±2° | | 宏致電子股份有限公司 Aces Electronics Co.,Ltd. | |
| 檢驗尺寸標示 SYMBOLS Ⓢ Ⓣ INDICATE CLASSIFICATION DIMENSION Ⓢ MARK IS CRITICAL DIM. Ⓣ MARK IS MAJOR DIM. | 品名 (TITLE) 0.5mm BTB CONNECTOR PLUG D/R S/T SMT TYPE 圖號 (DWG NO.) 50013-XXXX-XXX | 製圖 (DR) 23/03/29 TANGBO 審核 (CHKD) 核准 (APPD) Liuwe | 張數 (SHEET) 1 OF 1 比例 (SCALE) 5:1 單位 (UNITS) mm |
| 表面處理 (FINISH) | | 張數 (SHEET) 1 OF 1 比例 (SCALE) 5:1 單位 (UNITS) mm | 張數 (SHEET) 1 OF 1 比例 (SCALE) 5:1 單位 (UNITS) mm |